

Single Point Lubricator



The Compact and Refillable
Single-Point Lubricator

The New Generation

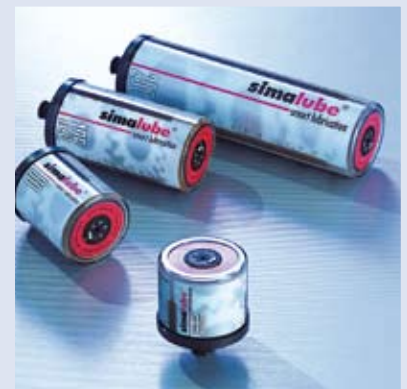
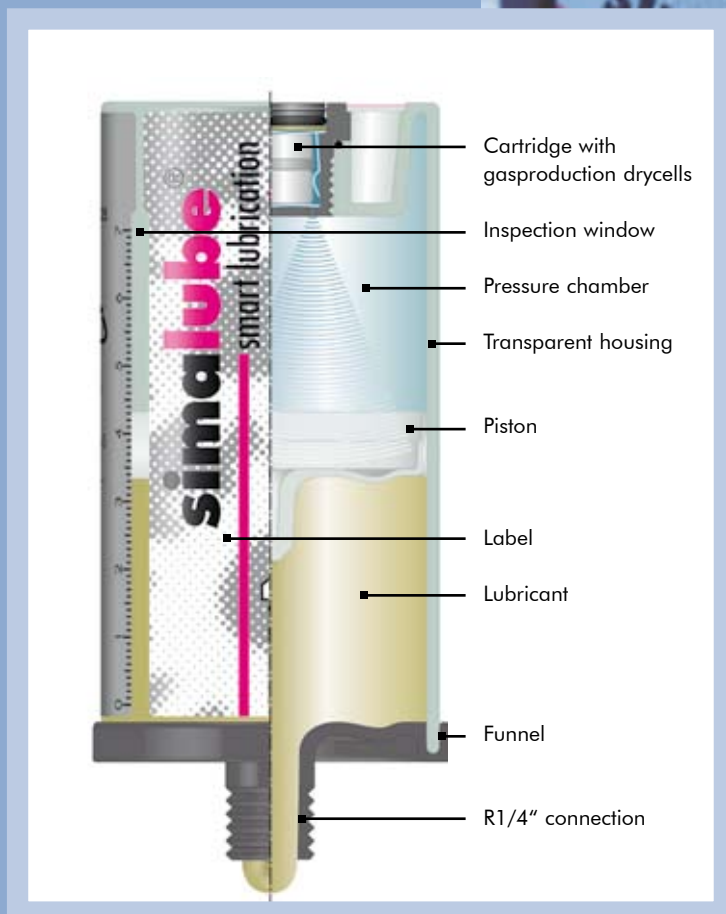
Swiss made / worldwide patents



simalube, the compact lubricator that is economical, universally adaptable, and a friend to our environment.

Economical lubrication

Using simalube, the lubricant can be applied directly to the lubrication point. The simalube lubricator is activated with a simple twist of the dispensing dial on the top of the lubricator, and can be altered at any time. The lubricant level can always be monitored through the inspection window. simalube is ideal for demanding applications such as lubrication points in difficult to reach locations or within dangerous production zones. simalube is especially well suited for lubrication points which may easily be overlooked or forgotten. These, often critical, lube points are provided a consistent delivery of lubricant reliably and automatically, 24 hours a day for up to one full year. Damages caused by over or under lubrication, and the high costs associated with repairing them, can be minimized with simalube.



The new generation of simalube lubricators



Cartridge with gas producing drycells



The dispensing period is variable and can be easily adjusted (1-12 months)



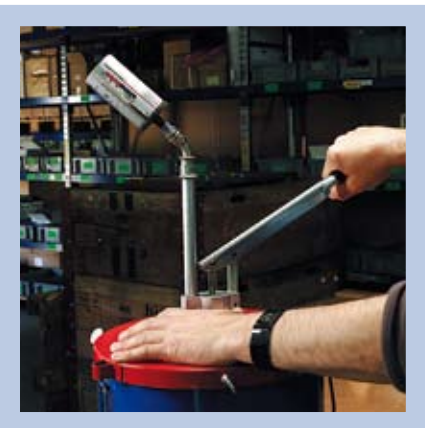
Universal application

simalube is available with a wide range of standard greases and oils. Customer specific lubricants can be used if suitable. The dispensing time on the simalube lubricator is variable between one and twelve months. The flexible delivery time gives the end user complete control over the amount of lubricant being applied. simalube delivers lubricant reliably throughout a temperature range of -20 to +55 °C (-4 to +131 °F). simalube is universally adaptable to most lubrication tasks through the use of the available accessory programme.



Environmentally friendly and refillable

simalube is environmentally friendly as it does not contain any toxic liquids, batteries, motors, or gears. When exhausted, the simalube can either be recycled through standard recycling channels, or fitted with a new gas generating cartridge, easily refilled and put back into service.



simalube can be filled as well as refilled by using a standard barrel pump that is typically used to fill grease guns.

Applications



For further information on products and applications please request a simalube data sheet. You can find a list of simalube distributors at www.simalube.com

Dimensions and standard lubricants

Standard lubricants

Order Number

No.	Application	Temperature range [°C]	Base oil	Thickener	Lubricant need			
					30 ml	60 ml	125 ml	250 ml
SL01	Multipurpose grease	-30/+120	Mineral oil	Li/Ca	SL01-30	SL01-60	SL01-125	SL01-250
SL02	Multipurp. grease + MoS ₂	-25/+130	Mineral oil	Li	SL02-30	SL02-60	SL02-125	SL02-250
SL04	High temperature grease	-20/+160	Mineral oil	Be	SL04-30	SL04-60	SL04-125	SL04-250
SL06	Fluid grease	-40/+110	Mineral oil	Li/Ca	SL06-30	SL06-60	SL06-125	SL06-250
SL09	Biodegradable grease	-20/+100	Ester oil	Li/Ca	SL09-30	SL09-60	SL09-125	SL09-250
SL10	Food industry grease	-30/+140	synthetic	Al	SL10-30	SL10-60	SL10-125	SL10-250
SL14	Chain oil	-10/+ 90	Mineral oil	-	SL14-30	SL14-60	SL14-125	SL14-250
SL15	High temperature chain oil	0/+250	synthetic	-	SL15-30	SL15-60	SL15-125	SL15-250
SL18	Food industry oil	-15/+150	synthetic	-	SL18-30	SL18-60	SL18-125	SL18-250
SL24	Wide temp. range grease	-30/+150	Mineral oil	Li comp.	SL24-30	SL24-60	SL24-125	SL24-250
SL25	High temperature grease	-20/+180	Mineral oil	Polyurea	SL25-30	SL25-60	SL25-125	SL25-250

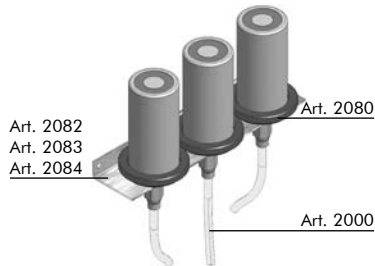


Applications with simalube – accessories

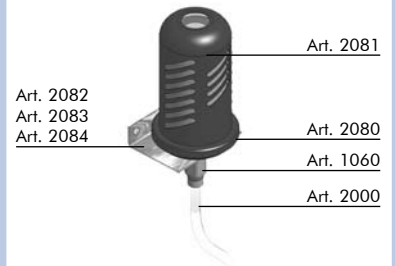


A comprehensive simalube accessory programme enables the simple application of simalube, the automatic single point lubricator.

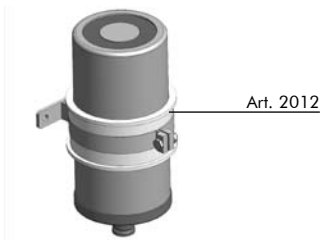
3-way bracket



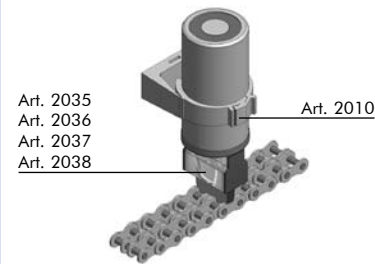
Mounting support with protective cover for simalube



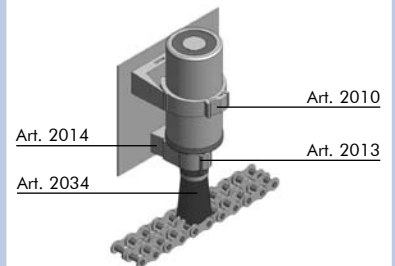
Adaptor for Perma clamp



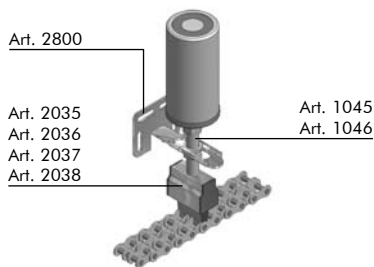
Chain lubrication with clamp



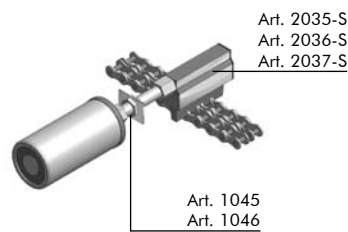
Chain lubrication with round brush and two clamps



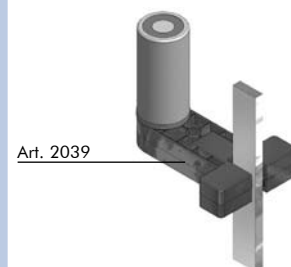
Chain lubrication with bracket, universally adjustable



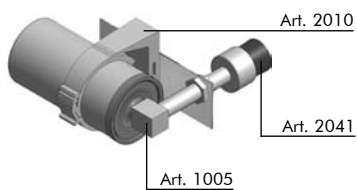
Chain lubrication with lateral connection



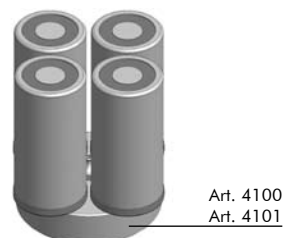
Lubrication of elevator guides or wire ropes



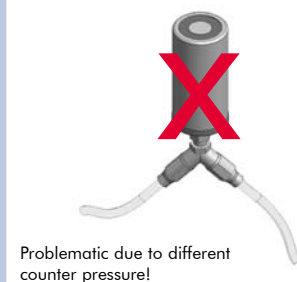
Round brush with 90° connection



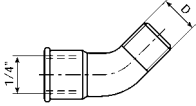
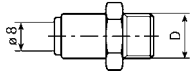
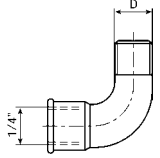
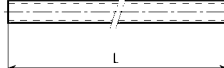
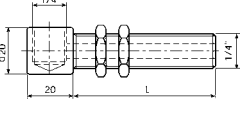
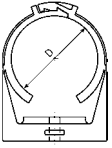
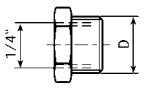
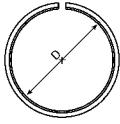
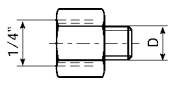
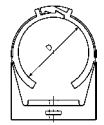
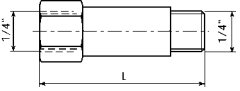
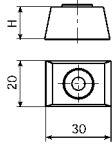
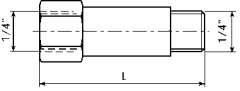
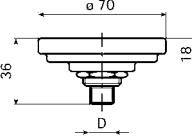
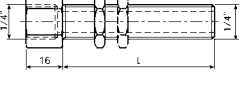
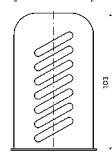
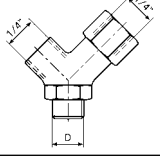
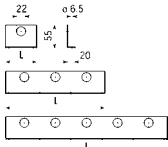
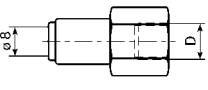
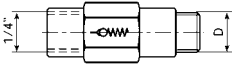
4-fold adapter

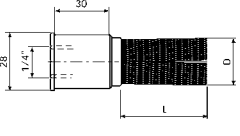
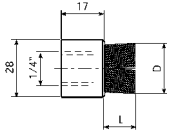
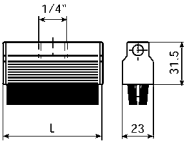
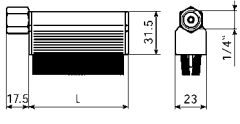
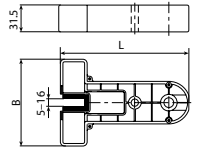
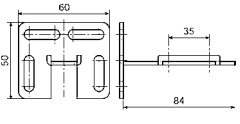
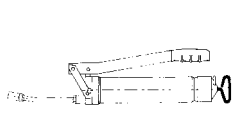
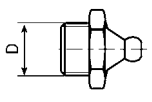
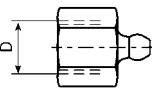
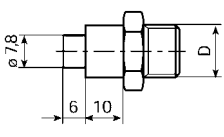


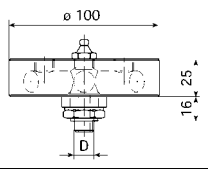
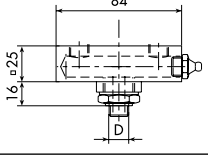
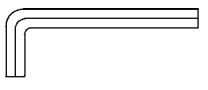
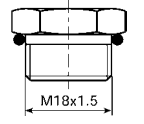
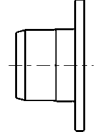
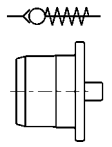
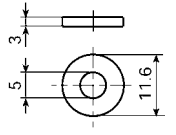
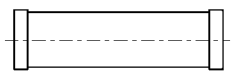
WRONG!



simalube accessory programme

	Description	Art.		Description	Art.
	Bent connection 45° 1/4"	1001		Quick connection for hose \varnothing 8 mm 1/8" male 1/4" male 3/8" male	1070 1071 1072
	Bent connection 90° 1/4"	1002		Hose \varnothing 8/6 mm per meter (Art. and length to be mentioned)	2000
	90°-connection with thread 70 mm, incl. 2 nuts	1005		Clamp for simalube® \varnothing 50 mm	2010
	Connecting nipple 1/4" x 3/8" 1/2"	1010 1011		Adapter for Perma clamp \varnothing 50 mm	2012
	Reducing nipple 1/4" x 1/8" 1/4" M6 M8 M8x1 M10 M10 x 1 M12 M12x1,5 1/4" (UNF)	1020 1021 1022 1023 1024 1025 1026 1027 1028 1121		Clamp for round brush \varnothing 28 mm	2013
	Extension 10 mm 35 mm 50 mm	1021 1040 1041		Distance holder to clamp for round brush 15 mm	2014
	Extension 10 mm 35 mm 50 mm	1021 1040 1041		Mounting support consisting of: - flange - connecting nipple 1/4" - nut	2080
	Screwed connection with hole 25 mm, incl. 1 nut 60 mm, incl. 2 nuts	1045 1046		Protective cover to mounting support 2080	2081
	Y-manifold (incl. reducing nipple 1021) 1/4"	1050		Bracket 1-way, 3-way, 5-way 75 mm (1 bore) 240 mm (3 bores) 390 mm (5 bores)	2082 2083 2084
	Quick connection for hose \varnothing 8 mm (incl. gasket ring 5080) 1/4" female	1060		Non-return valve 1/8" 1/4"	2020 2021
	Brass, nickel plated			Brass, nickel plated	

Description	Art.
 <p>Round brush, plastic bristles ø 25x45 mm</p> <p>Plastic</p>	2034
 <p>Round brush, horse bristles ø 25x15 mm</p> <p>Plastic</p>	2041
 <p>Brush, horse bristles 40 mm 70 mm 100 mm 25 mm</p> <p>Aluminium</p>	2035 2036 2037 2038
 <p>Brush, lateral connection horse bristles 40 mm 70 mm 100 mm</p> <p>Aluminium</p>	2035-S 2036-S 2037-S
 <p>Elevator brush horse bristles L x B 151 x 102 mm 113 x 84 mm</p> <p>Plastic</p>	2039 2042
 <p>Bracket universally adjustable</p> <p>Steel, burnished</p>	2800
 <p>Grease gun with valve pipe</p>	3010
 <p>Connector nipple for cleaning and filling of grease lines 1/4"</p> <p>Brass, nickel plated</p>	3011
 <p>Refill nipple for refilling of simalube® 1/4"</p> <p>Brass, nickel plated</p>	3012
 <p>Connector nipple to grease gun filler for filling simalube® 1/4" 3/8"</p> <p>Plastic</p>	3013 3014

Description	Art.
 <p>4-fold adaptor 1/2" 1/4"</p> <p>Plastic / brass, nickel plated</p>	4100 4101
 <p>2-fold adaptor 1/2" 1/4"</p> <p>Plastic / brass, nickel plated</p>	4102 4103
 <p>Allen key 3 mm (100 pcs.)</p>	4010
 <p>Cartridge REFILL (Gas generator) G1-125 ml G1-60 ml (shortly) 30 ml 60 ml 125 ml 250 ml</p>	5000 5002 5004 5006 5008 5010
 <p>Closing nipple ø 8 mm (100 pcs.)</p> <p>Plastic, green</p>	5050
 <p>Non-return valve plug ø 8 mm (100 pcs.)</p> <p>Plastic, yellow</p>	5060
 <p>Gasket ring</p> <p>Plastic</p>	5080
 <p>Grease cartouche 400 ml, DIN 1284 Multipurpose grease Multipurpose grease with MoS₂ High temperature grease Fluid grease Biodegradable grease Food industry grease</p>	KA01 KA02 KA04 KA06 KA09 KA10

Subject to change without notice.



simatec ag, Wangen a. Aare, Switzerland

simatec maintenance products

World class lubrication, mounting and dismantling

With 3 products lines, simatec takes care of your critical machinery and plant operation to ensure maximum uptime.

The automatic single point lubricator simalube can be adjusted from 1 to 12 months using the unique gas-producing drycell that is patented world-wide. The drycell generates pressure that pushes the grease or oil into the lubrication point.



The simatherm induction heaters provide fast warm-up of circular metal parts, for example bearings, for hot-mounting parts with an interference fit. Inductive heating of metal workpieces is cost-effective, time-saving and protects the environment. simatec is a global leader in thermal mounting technologies.



The simatool product range is designed for a quick, precise and safe mounting and dismantling of bearings and seals. simatools are used around the globe in machinery repair and maintenance shops.



Lube Control Pty Ltd

Providing lubrication solutions!

Unit 5/53 Norfolk Rd,
Marion, SA 5043
t: (08) 8298 5563
f: (08) 8298 6253
e: info@lubecontrol.com.au

www.lubecontrol.com.au