



# 750 SERIES™



1.25 in (3.13 cm) Hose Reel



Model number shown: 245410

## Heavy-Duty Hose Reel for High Volume Applications

### 750 SERIES Features and Benefits

#### Features

- Heavy-duty, high volume reel
- Industrial-grade paint for high abrasion and corrosion resistance
- Full-flow shaft and ball bearing swivel
- Heavy-duty brackets and springs
- Rugged base and hose rollers
- Heavy-duty latch mechanism

#### Benefits

- Ideal for fuel dispense
- Reels are durable and long-lasting for maximum life in the toughest environments
- Ensures consistent, maximum product delivery
- Eliminates bending due to angular hose pull and provides smooth, automatic hose retrieval
- Enables wall, floor, ceiling, pit or truck mounting
- Maintains desired length of hose and assures positive latch and rewind

PROVEN QUALITY. LEADING TECHNOLOGY.

# 750 SERIES HOSE REEL

For further information, contact your local Graco Distributor.

## Technical Specifications

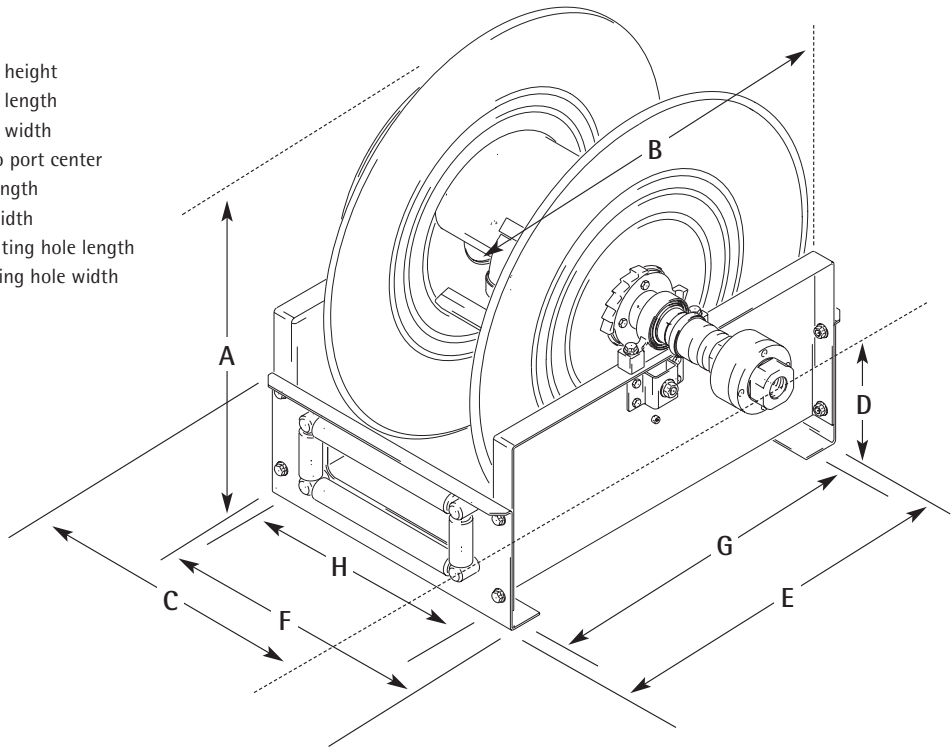
Dimensions	26.25 in L x 26.25 in H x 17.5 in W (667 mm L x 667 mm H x 445 mm W)
Inlet size	1-1/4 npt(f)
Outlet size	1-1/2 npt(f)
Working temperature	150° F (65° C)
Weight	125 lbs (57 kg)
Maximum working pressure	375 psi (26 bar; 2.6 MPa)
Hose capacity (not included)	50 ft (15.2m) x 1.25 in ID Hose
Manual	309442

## Ordering Information

245410	750 Series™ 1.25 in (31.7 mm) Fuel Reel Includes bare reel with straight swivel
198985	Hose Stop Accessory

## Dimensions

- A. 26.25 in (667 mm) overall height
- B. 26.25 in (667 mm) overall length
- C. 24.50 in (622 mm) overall width
- D. 13.75 in (349 mm) base to port center
- E. 24.25 in (616 mm) base length
- F. 17.50 in (445 mm) base width
- G. 22.125 in (562 mm) mounting hole length
- H. 13.25 in (337 mm) mounting hole width



Call today for more information  
or to find the authorized distributor nearest you:

PHONE: **800.533.9655**

FAX: **800.533.9656**

Or, visit us at **www.graco.com**

